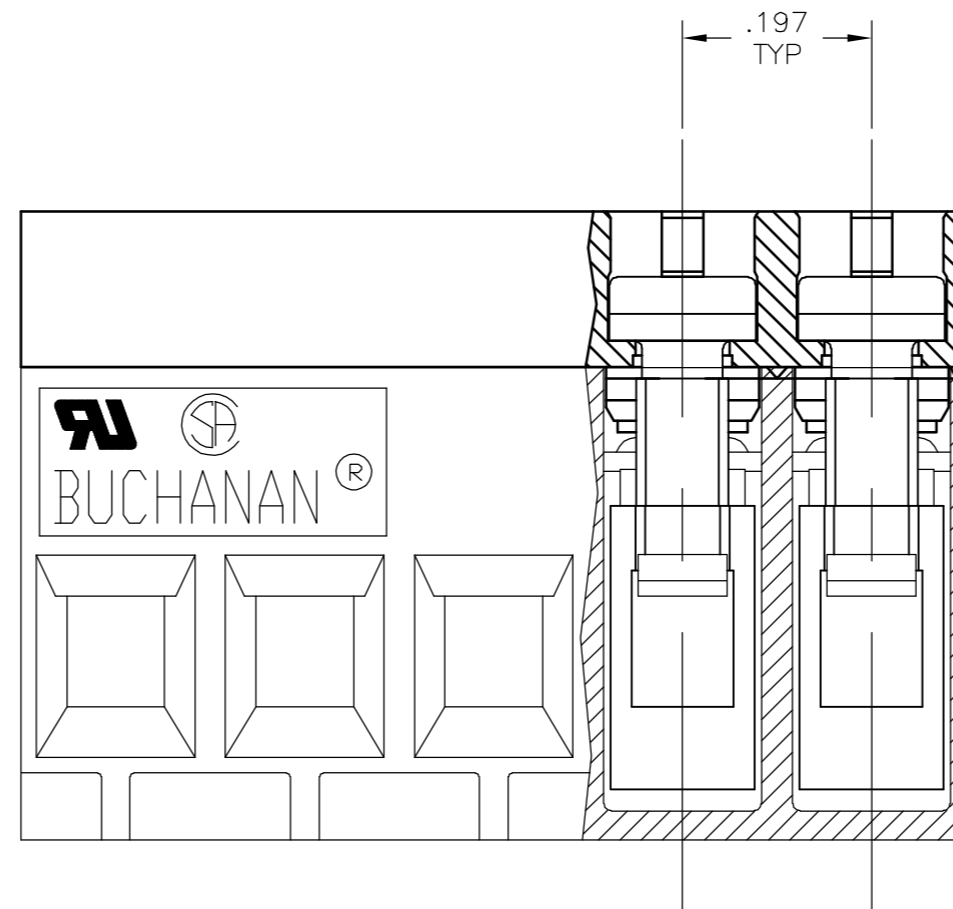
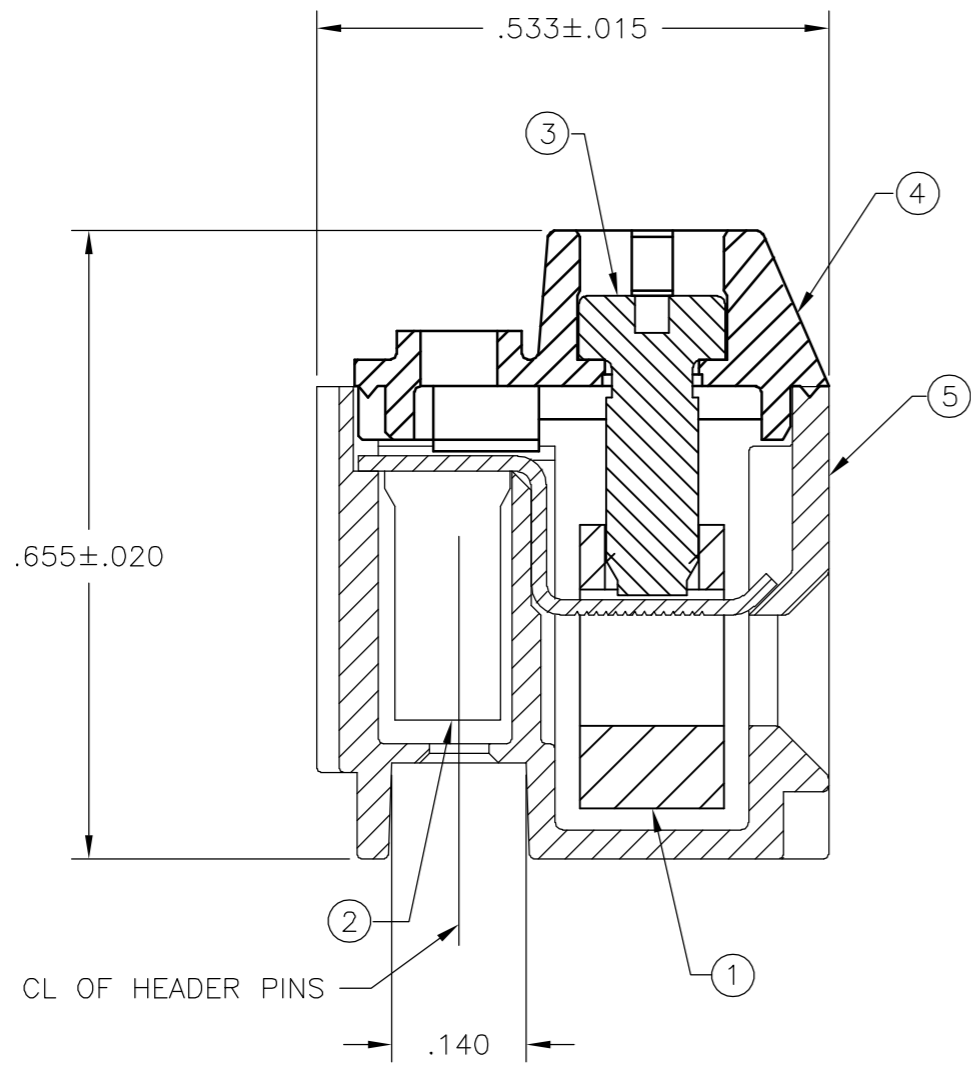
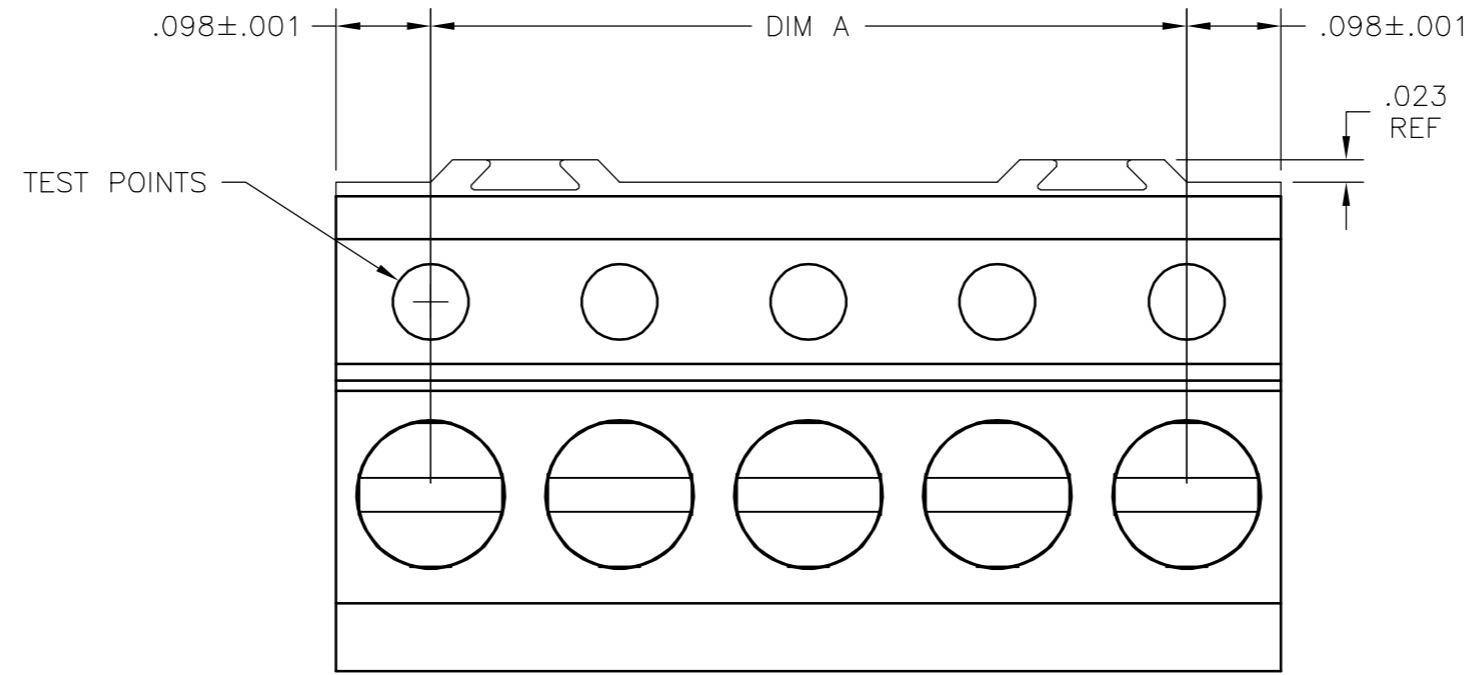


THIS DRAWING IS UNPUBLISHED. RELEASED FOR PUBLICATION  
 © COPYRIGHT BY TYCO ELECTRONICS CORPORATION. ALL RIGHTS RESERVED.

LOC		DIST		REVISIONS			
P	LTR	DESCRIPTION	DATE	DWN	APVD		
	A1	REVISED PER ECO-05-10597	10/6/05	SS	CR		

NOTES:  
 HOUSING MATERIAL: POLYIMIDE TYPE 6/6  
 94VO RATED, COLOR BLACK  
 TERMINAL: PHOS BRONZE, TIN PLATED  
 WIRE CAGE: HARDENED STL, ZINC PLATED  
 SCREW: M2.5 X 6.2 STEEL ZINC PLATED



4.528±.012	24	B51C8U24T	5-1437426-9
4.134±.011	22	B51C8U22T	5-1437426-8
3.740±.010	20	B51C8U20T	5-1437426-7
3.346±.009	18	B51C8U18T	5-1437426-6
2.953±.008	16	B51C8U16T	5-1437426-3
2.756±.007	15	B51C8U15T	5-1437426-1
2.559±.007	14	B51C4U14T	4-1437426-9
2.362±.007	13	B51C4U12T	4-1437426-6
2.165±.006	12	B51C4U11T	3-1437426-9
1.969±.006	11	B51C4U11T	3-1437426-6
1.772±.006	10	B51C4U10T	3-1437426-2
1.575±.005	9	B51C4U09T	2-1437426-8
1.378±.005	8	B51C4U08T	2-1437426-5
1.181±.004	7	B51C4U07T	2-1437426-0
.984±.004	6	B51C4U06T	1-1437426-6
.787±.003	5	B51C4U05T	1-1437426-3
.591±.002	4	B51C4U04T	1437426-9
.394±.002	3	B51C4U03T	1437426-3
.197±.002	2	B51C4U02T	1437426-1
DIM A	NO. OF POSN	T & B PART NO.	TYCO PART NO.

THIS DRAWING IS A CONTROLLED DOCUMENT.

DWN	S SCHLEGEL	03DEC02
CHK	C RICHARD	12/3/02
APVD	C RICHARD	12/3/02

TOLERANCES UNLESS OTHERWISE SPECIFIED:  
 0 PLC ± -  
 1 PLC ± -  
 2 PLC ± -  
 3 PLC ± .005  
 4 PLC ± -  
 ANGLES ± 1°  
 FINISH -

**tyco Electronics** Tyco Electronics Corporation  
 Harrisburg, PA 17105-3608

NAME: TERMINAL BLOCK ASSEMBLY  
 .197 (5.00MM) SPACING

SIZE	CAGE CODE	DRAWING NO	RESTRICTED TO
A2	00779	C=1437426-1	-

CUSTOMER DRAWING SCALE: 5:1 SHEET 1 of 1 REV A1